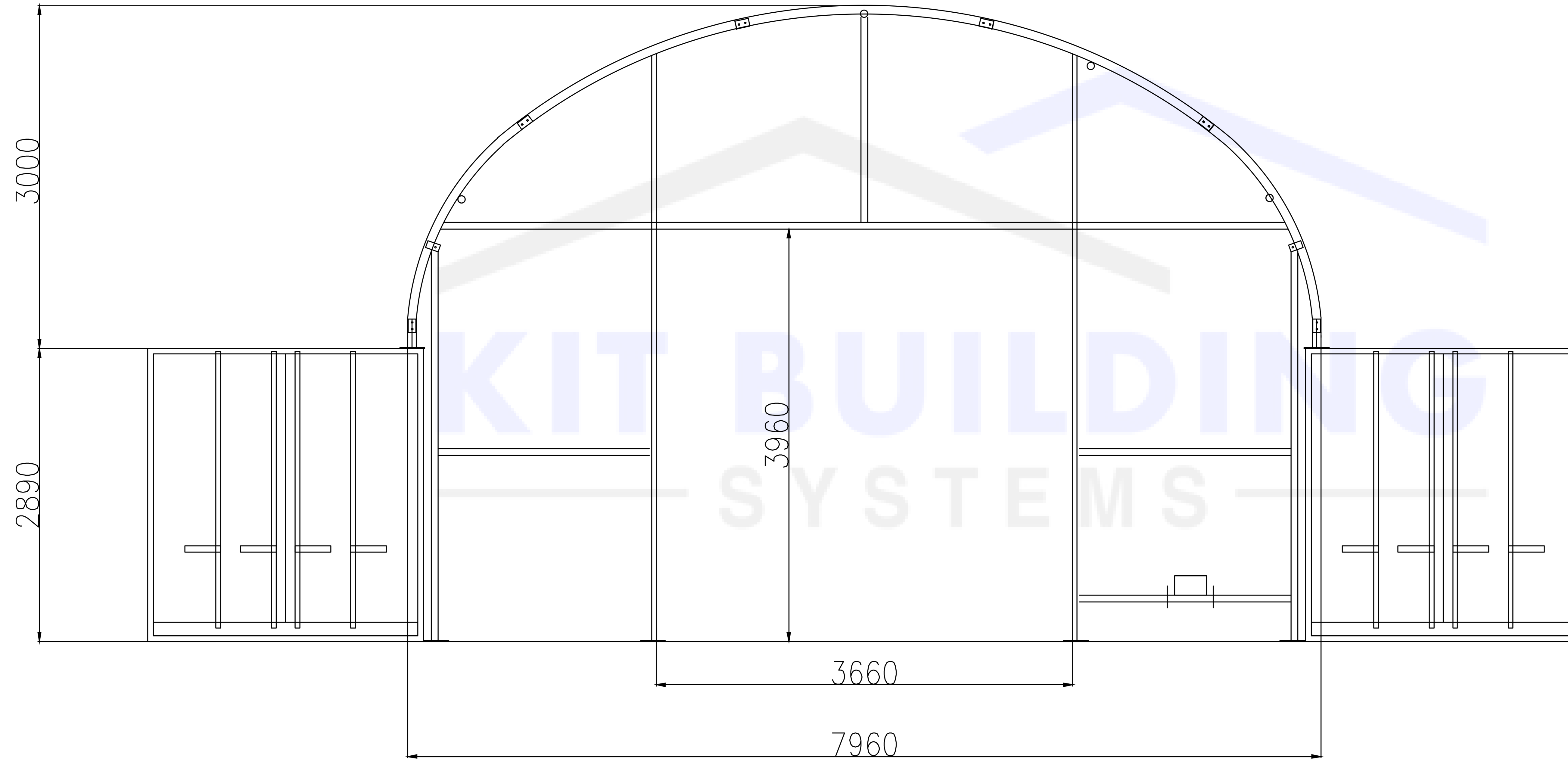


Container Canopy



PROJECT TITLE

Container Canopy
8m x 12m x 3m | 26' x 40' x 10'
Width x Depth x Height

NOTES

WORKING DRAWING

DRAWING BY: Dawid Chomicz

CHECKED BY: Cameron Newbold

PROJECT: CC-PVC-RST-8123-GREY

SCALE N.T.S

15.08.2025

Width: 8m | 26'
Depth: 12m | 40'
Eave Height: 2.89m | 9'5"
Overall Height: 3m | 10'
Arch Distance: 2.02m | 6'6"
Opening Clearance: 3.96m | 13'

REVISIONS

Sr.	DESCRIPTION	DATE
		15.08.2025

CLIENT

Container Canopy
Standard Model

Steel Frame: CHS Single Truss	Covering: 610g/m ² 22oz/sq yd	Arch Tube Thickness: 60mm x 1.8mm 2.36" x x 0.07"	Purling Tube Thickness: 40mm x 1.5mm 1.57" x x 0.06"	Eave Height: 2.89m 9'5"	Opening/Shutter Size WxH: 3.66m x 3.96m 12' x 13'
-------------------------------------	--	---	--	------------------------------	---

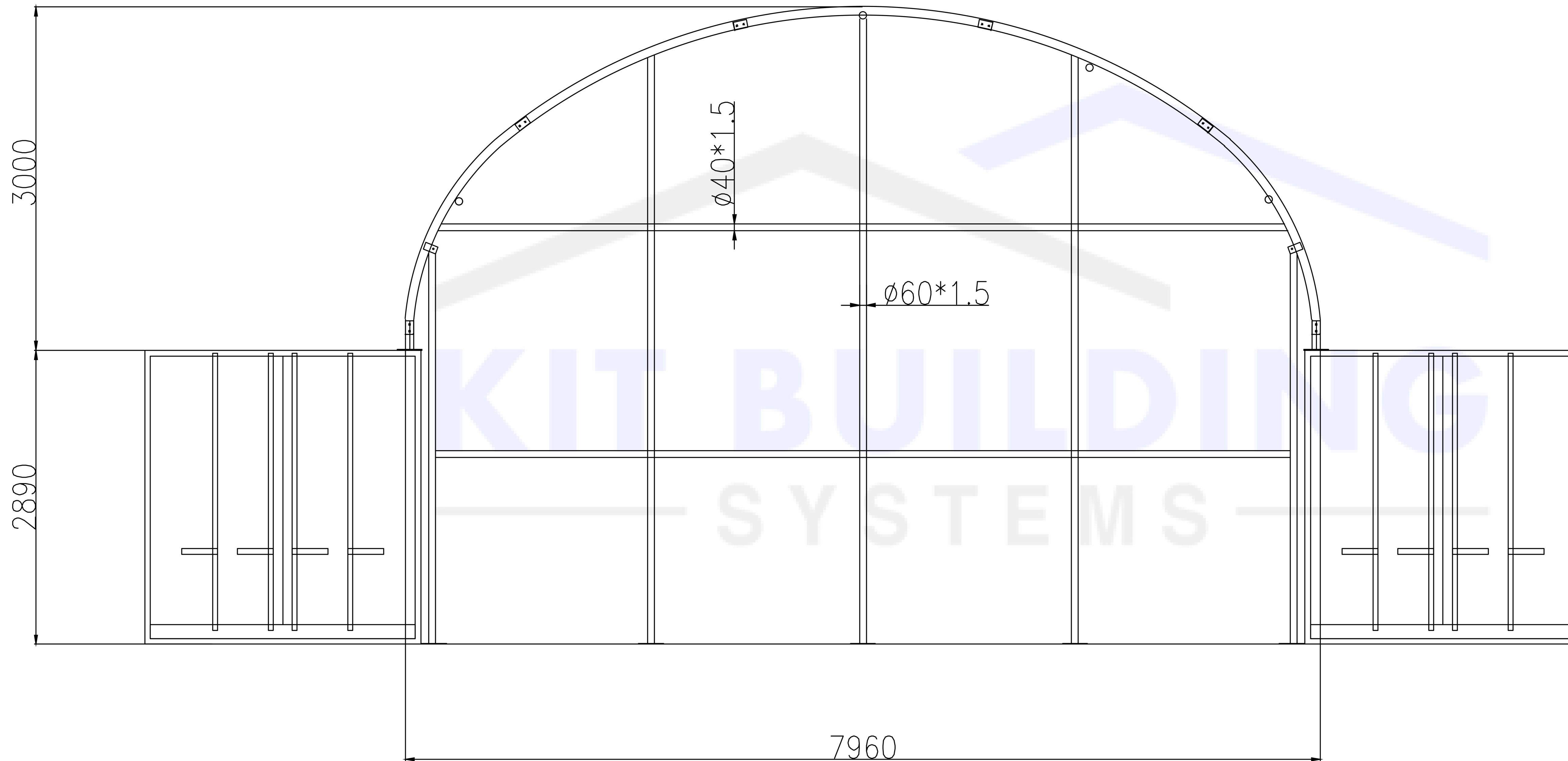
Shutter Type: Winch operated shutter	Pedestrian door WxH Quantity: N/A Size: N/A Material: N/A
---	--

PAGE 1 OF 3

FRONT ELEVATIONS

KIT BUILDING
— SYSTEMS —
WWW.KITBUILDINGS.COM

Container Canopy



PROJECT TITLE

Container Canopy
8m x 12m x 3m | 26' x 40' x 10'
Width x Depth x Height

NOTES

WORKING DRAWING

DRAWING BY: Dawid Chomicz

CHECKED BY: Cameron Newbold

PROJECT: CC-PVC-RST-8123-GREY

SCALE N.T.S

15.08.2025

Depth: 8m | 26'
Width: 12m | 40'
Eave Height: 2.89m | 9'5"
Overall Height: 3m | 10'
Arch Distance: 2.02m | 6'6"
Opening Clearance: 3.96m | 13'

REVISIONS

Sr.	DESCRIPTION	DATE
		15.08.2025

CLIENT

Container Canopy
Standard Model

Steel Frame: CHS Single Truss	Covering: 610g/m ² 22oz/sq yd	Arch Tube Thickness: 60mm x 1.8mm 2.36" x x 0.07"	Purling Tube Thickness: 40mm x 1.5mm 1.57" x x 0.06"	Eave Height: 2.89m 9'5"	Opening/Shutter Size WxH: 3.66m x 3.96m 12' x 13'
-------------------------------------	--	---	--	------------------------------	---

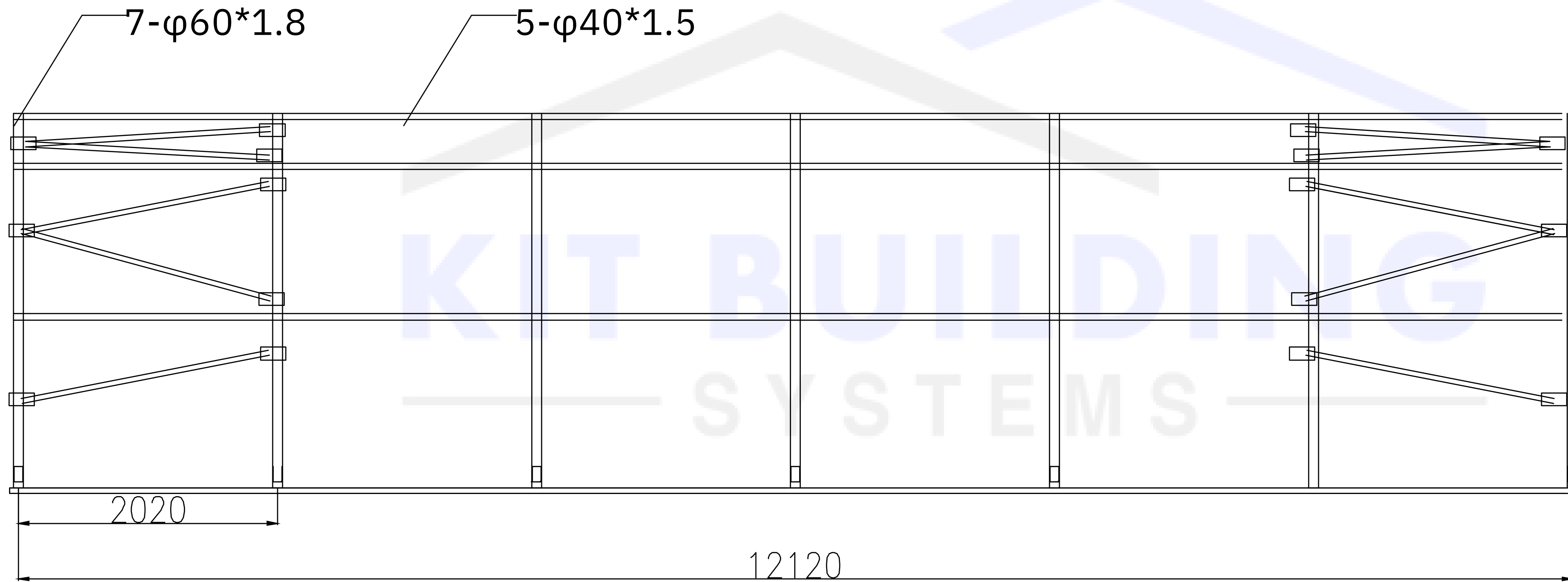
Shutter Type: Winch operated shutter	Pedestrian door WxH Quantity: N/A Size: N/A Material: N/A
---	--

PAGE 2 OF 3

BACK ELEVATIONS

KIT BUILDING
— SYSTEMS —
WWW.KITBUILDINGS.COM

Container Canopy



PROJECT TITLE

Container Canopy
8m x 12m x 3m | 26' x 40' x 10'
Width x Depth x Height

NOTES

WORKING DRAWING

DRAWING BY: Dawid Chomicz

CHECKED BY: Cameron Newbold

PROJECT: CC-PVC-RST-8123-GREY

SCALE N.T.S

15.08.2025

Depth: 8m | 26'
Width: 12m | 40'
Eave Height: 2.89m | 9'5"
Overall Height: 3m | 10'
Arch Distance: 2.02m | 6'6"
Opening Clearance: 3.96m | 13'

REVISIONS

Sr.	DESCRIPTION	DATE
		15.08.2025

CLIENT

Container Canopy
Standard Model

Steel Frame: CHS Single Truss	Covering: 610g/m ² 22oz/sq yd	Arch Tube Thickness: 60mm x 1.8mm 2.36" x 0.07"	Purling Tube Thickness: 40mm x 1.5mm 1.57" x 0.06"	Eave Height: 2.89m 9'5"	Opening/Shutter Size WxH: 3.66m x 3.96m 12' x 13'
-------------------------------------	--	---	--	------------------------------	---

Shutter Type: Winch operated shutter	Pedestrian door WxH Quantity: N/A Size: N/A Material: N/A
---	--

PAGE 3 OF 3

SIDE ELEVATIONS

KIT BUILDING
— SYSTEMS —
WWW.KITBUILDINGS.COM